

PRODUCT DATA SHEET

Sikaplan® WP Trumpet Flange

Preformed sealing element for anchor penetrations

DESCRIPTION

Sikaplan® WP Trumpet Flange is a preformed PVC-p flange element with round base plate and pipe.

USES

The Product is used as a:

- Sealing element for anchor and rebar penetrations through PVC membrane systems
- Injection flange for PVC membrane systems

CHARACTERISTICS / ADVANTAGES

- Compatible to all Sikaplan® WP membranes with a base of PVC-p by heat welding
- Flexible and versatile
- For various anchor and rebar diameters
- Easy and quick application

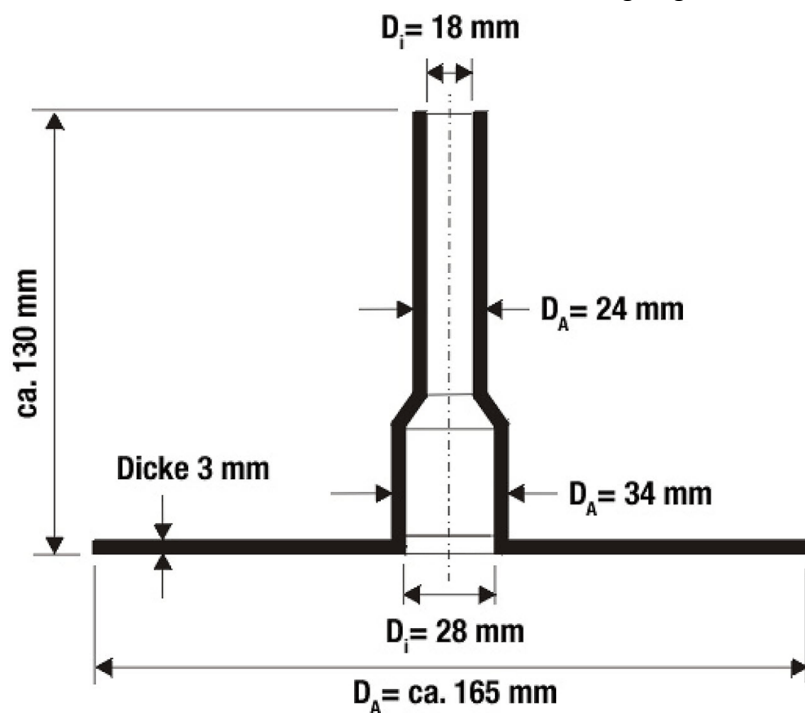
PRODUCT INFORMATION

Chemical base	PVC-p
Packaging	Products packed in boxes Refer to the current price list for available packaging variations.
Shelf life	5 years shelf life from date of production.
Storage conditions	The Product must be stored in original unopened and undamaged packaging in dry conditions.



Dimensions

The dimensions of the Product are shown in the following diagram:



Weight

~150 g per piece

TECHNICAL INFORMATION

Ambient maximum temperature of liquids

Service temperature +35 °C

SYSTEM INFORMATION

System structure

Ancillary products for usage as sealing element for anchor penetrations:

- Sikaflex®-11 FC+
- Jubilee clips to seal penetration

Ancillary products for usage as injection flange:

- Hose nipple on base of metal or plastic, to be inserted into trumpet flange
- Metal clamping ring to seal hose nipple
- Injection hose, or metal pipe with inner winding

APPLICATION INFORMATION

Ambient air temperature

Minimum

+5 °C

BASIS OF PRODUCT DATA

All technical data stated in this Product Data Sheet are based on laboratory tests. Actual measured data may vary due to circumstances beyond our control.

ECOLOGY, HEALTH AND SAFETY

REGULATION (EC) NO 1907/2006 - REACH

This product is an article as defined in article 3 of regulation (EC) No 1907/2006 (REACH). It contains no substances which are intended to be released from the article under normal or reasonably foreseeable conditions of use. A safety data sheet following article 31 of the same regulation is not needed to bring the product to the market, to transport or to use it. For safe use follow the instructions given in this product data sheet. Based on our current knowledge, this product does not contain SVHC (substances of very high concern) as listed in Annex XIV of the REACH regulation or on the candidate list published by the European Chemicals Agency in concentrations above 0.1 % (w/w).

APPLICATION INSTRUCTIONS

APPLICATION

IMPORTANT

Application by trained personnel

The application of this Product must only be carried out by an applicator that is trained or approved by Sika. The applicator must also be experienced in this type of application.

FOR USAGE AS SEALING ELEMENT FOR ANCHOR PENETRATIONS



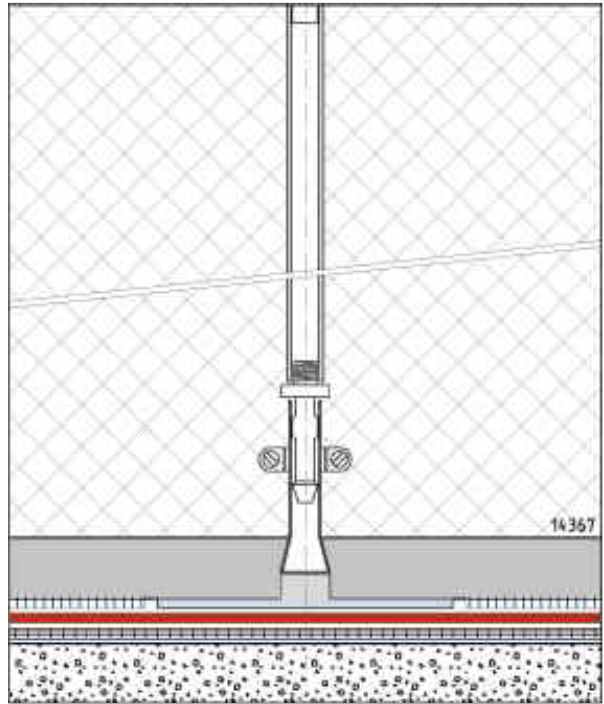
Preconditions

Sikaplan® sheet membrane is installed according to the valid Method Statement and standard detail drawings for basement and tunnel waterproofing. Installed Sikaplan® sheet membrane must be dry and

clean.

1. Cut a hole into the waterproofing membrane at rock bolt area.
2. Clean the area to be welded which must be free from any dust, oil, grease or contaminate.
3. Place and fully weld the Sika trumpet flange to the waterproofing membrane.
4. Tightly close the trumpet shaft around the rock anchor using Sikaflex®-11 FC+ sealant and jubilee clips.

FOR USAGE AS INJECTION FLANGE



1. Spotwise weld the base of the flange onto the sheet membrane using a heat welding tool.
2. Fix the hose nipples into the pipe by clamping with a jubilee clip.
3. Connect the fixed hose nipples to the injection pipe. Note Ensure that the injection pipe is fixed securely.

LOCAL RESTRICTIONS

Note that as a result of specific local regulations the declared data and recommended uses for this product may vary from country to country. Consult the local Product Data Sheet for exact product data and uses.

LEGAL NOTES

The information, and, in particular, the recommendations relating to the application and end-use of Sika products, are given in good faith based on Sika's current knowledge and experience of the products when properly stored, handled and applied under normal conditions in accordance with Sika's recommendations. In practice, the differences in materials, substrates and actual site conditions are such that no warranty in respect of merchantability or of fitness for a particular purpose, nor any liability arising out of any legal relationship whatsoever, can be inferred either from this information, or from any written recommendations, or from any other advice offered. The user of the product must test the product's suitability for the intended application and purpose. Sika reserves the right to change the properties of its products. The proprietary rights of third parties must be observed. All orders are accepted subject to our current terms of sale and delivery. Users must always refer to the most recent issue of the local Product Data Sheet for the product concerned, copies of which will be supplied on request.

Sika India Pvt. Ltd.

620, Diamond Harbour Road
Commercial Complex II
Kolkata - 700 034
West Bengal, India

Contact:

Phone: +91 33 2447 2448
Fax: +91 33 2397 8688
info.india@in.sika.com
www.sika.in



Product Data Sheet

Sikaplan® WP Trumpet Flange
December 2023, Version 06.01
020720805000000002

SikaplanWPTrumpetFlange-en-IN-(12-2023)-6-1.pdf