

## PRODUCT DATA SHEET

# Sarnadisc T

Metal washer for fixing of thermal insulation to roof structures

### DESCRIPTION

Square, zinc plated steel washer with rounded edges for fixing thermal insulation to roof structures. Fastened with one fastener per washer. The flat surface makes it ideal for fastening thermal insulation beneath roof waterproofing membranes.

### USES

Sarnadisc® T washer is used for mechanical fastening of thermal insulation in combination with appropriate Sarnafast® Fastener. Only for fastening thermal insulation underneath roof waterproofing membranes. Sarnadisc® T washer shall not be used for the mechanical fastening of roof waterproofing membranes. Suitable roofing system under 70% R.H. environment without chemical condition.

### CHARACTERISTICS / ADVANTAGES

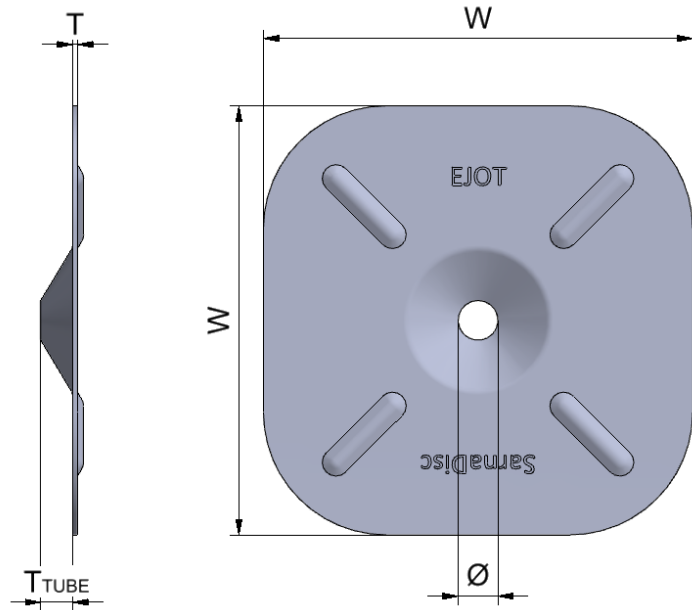
- Resistant to most common environmental influences
- Ease of application in use with recommended setting tools
- Recyclable

### APPROVALS / STANDARDS

- EN ISO 9001 / 14001
- DIN 50018 /GBT 9789-2008
- ISO 9227 / GBT 10125-2012

# PRODUCT INFORMATION

## Packaging



300 pcs/box					
Item Code	Weight (kg/box)	Ø (mm)	T (mm)	T <sub>tube</sub> (mm)	W (mm)
482184	8.1	6.5	1	5	70

<b>Shelf life</b>	Product does not expire during correct storage.	
<b>Storage conditions</b>	The product must be stored in original, unopened and undamaged packaging in dry conditions between + 5 °C and + 30 °C. Always refer to packaging. Do not stack pallets or any other material on top during transport or storage.	
<b>Appearance / Colour</b>	Surface	Smooth
	Color	Silver Grey

## SYSTEM INFORMATION

<b>System structure</b>	The following products must be considered for use depending on roof design: Sarnafast® 4.8 / 5.5 / 6.0 / 6.3.
-------------------------	---

## TECHNICAL INFORMATION

<b>Corrosion resistance</b>	Salt spray test	≥ 1000 hours	GB/T 10125-2012
	Kesternich test	≥ 20 cycles	GB/T 9789-2008

## APPLICATION INFORMATION

<b>Ambient air temperature</b>	-20 °C min. / +60 °C max.
<b>Substrate temperature</b>	-30 °C min. / +60 °C max.

## BASIS OF PRODUCT DATA

vary due to circumstances beyond our control.

All technical data stated in this Product Data Sheet are based on laboratory tests. Actual measured data may

## IMPORTANT CONSIDERATIONS

- Installation work must only be carried out by Sika® trained and approved contractors, experienced in this type of application
- Special measures may be compulsory for installation below + 5 °C ambient temperature due to safety requirements in accordance with national regulations.

## ECOLOGY, HEALTH AND SAFETY

### REGULATION (EC) NO 1907/2006 - REACH

This product is an article as defined in article 3 of regulation (EC) No 1907/2006 (REACH). It contains no substances which are intended to be released from the article under normal or reasonably foreseeable conditions of use. A safety data sheet following article 31 of the same regulation is not needed to bring the product to the market, to transport or to use it. For safe use follow the instructions given in this product data sheet. Based on our current knowledge, this product does not contain SVHC (substances of very high concern) as listed in Annex XIV of the REACH regulation or on the candidate list published by the European Chemicals Agency in concentrations above 0.1 % (w/w).

## APPLICATION INSTRUCTIONS

### APPLICATION

Sarnadisc® T washer must be installed in accordance with Sika application manual and installation instructions. Sarnadisc® T washer in combination with appropriate Sarnafast® Fastener is used for the mechanical fastening of thermal insulation. For more information look up the Product Data Sheet Sarnafast® Fastener.

## LOCAL RESTRICTIONS

Note that as a result of specific local regulations the declared data and recommended uses for this product may vary from country to country. Consult the local Product Data Sheet for exact product data and uses.

## LEGAL NOTES

The information, and, in particular, the recommendations relating to the application and end-use of Sika products, are given in good faith based on Sika's current knowledge and experience of the products when properly stored, handled and applied under normal conditions in accordance with Sika's recommendations. In practice, the differences in materials, substrates and actual site conditions are such that no warranty in respect of merchantability or of fitness for a particular purpose, nor any liability arising out of any legal relationship whatsoever, can be inferred either from this information, or from any written recommendations, or from any other advice offered. The user of the product must test the product's suitability for the intended application and purpose. Sika reserves the right to change the properties of its products. The proprietary rights of third parties must be observed. All orders are accepted subject to our current terms of sale and delivery. Users must always refer to the most recent issue of the local Product Data Sheet for the product concerned, copies of which will be supplied on request.

**Sika India Pvt. Ltd.**  
620, Diamond Harbour Road  
Commercial Complex II  
Kolkata - 700 034  
West Bengal, India

**Contact:**  
Phone: +91 33 2447 2448  
Fax: +91 33 2397 8688  
info.india@in.sika.com  
www.sika.in



**Product Data Sheet**  
**Sarnadisc T**  
December 2023, Version 02.01  
02094505110000073

SarnadiscT-en-IN-(12-2023)-2-1.pdf