

PRODUCT DATA SHEET

SarnaTube M

Plastic tube

DESCRIPTION

Modified High Density Polyethylene tube washer which can be used in combination with an appropriate steel fastener, for mechanical fastening of waterproofing membranes.

USES

Sarnatube® M is used in combination with appropriated Sarnafast fasteners as fixing accessory for Sarnafil and Sikaplan mechanically attached roofing on thermal insulation (e.g. mineral wool).

CHARACTERISTICS / ADVANTAGES

- Excellent aging resistance
- Effectively eliminates heat or cold bridge
- Flexible chest for fasteners to move up and down, to avoid damage to the membrane
- Resistance against mechanical impacts
- Lightweight
- Resistance against common environmental influences
- Recyclable

APPROVALS / STANDARDS

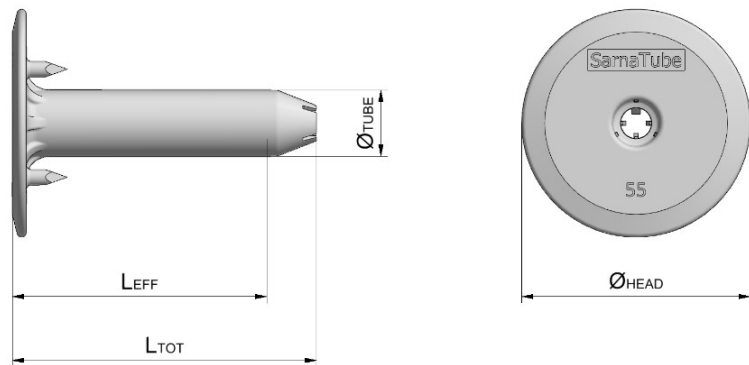
EN ISO 9001 / 14001

PRODUCT INFORMATION

Chemical base

Modified High Density Polyethylene (HDPE)

Packaging



Item code	Product name	Total Length L _{TOT} (mm)	Effective Length L _{EFF} (mm)	Package (pcs/box)	Weight (g/pc)
482167	Sarnatube® M 50*15	25	15	1400	6.87
482168	Sarnatube® M 50*35	45	35	1000	8.55
482169	Sarnatube® M 50*55	65	55	800	10.02
482170	Sarnatube® M 50*75	85	75	600	11.48
482171	Sarnatube® M 50*95	105	95	500	12.99
482172	Sarnatube® M 50*115	125	115	400	14.50
482173	Sarnatube® M 50*155	165	155	300	17.51

Shelf life

The product does not expire if properly stored.

Storage conditions

SarnaTube® M must be stored indoors or under roof, in a dry location protected from direct sunlight, rain, frost and snow.

Appearance / Colour

White, Smooth surface
Head Diameter: 50 mm
Tube Diameter: 15 mm

SYSTEM INFORMATION

System structure

Auxiliary Product:
Sarnafast® Fasteners: Ø4.8xL; Ø5.5xL; Ø6.0xL; Ø6.3xL
Compatible with all types of Sikaplan® and Sarnafil® waterproofing membrane.

BASIS OF PRODUCT DATA

All technical data stated in this Product Data Sheet are based on laboratory tests. Actual measured data may vary due to circumstances beyond our control.

ECOLOGY, HEALTH AND SAFETY

REGULATION (EC) NO 1907/2006 - REACH

This product is an article as defined in article 3 of regulation (EC) No 1907/2006 (REACH). It contains no substances which are intended to be released from the article under normal or reasonably foreseeable conditions of use. A safety data sheet following article 31 of the same regulation is not needed to bring the product to the market, to transport or to use it. For safe use follow the instructions given in this product data sheet. Based on our current knowledge, this product does not contain SVHC (substances of very high concern) as listed in Annex XIV of the REACH regulation or on the candidate list published by the European Chemicals Agency in concentrations above 0.1 % (w/w).

APPLICATION INSTRUCTIONS

APPLICATION

Sarnatube® M must be installed together with Sarnafast® fasteners. Installation works must be carried out only by Sika instructed and approved roofing contractors.

LOCAL RESTRICTIONS

Note that as a result of specific local regulations the declared data and recommended uses for this product may vary from country to country. Consult the local Product Data Sheet for exact product data and uses.

LEGAL NOTES

The information, and, in particular, the recommendations relating to the application and end-use of Sika products, are given in good faith based on Sika's current knowledge and experience of the products when properly stored, handled and applied under normal conditions in accordance with Sika's recommendations. In practice, the differences in materials, substrates and actual site conditions are such that no warranty in respect of merchantability or of fitness for a particular purpose, nor any liability arising out of any legal relationship whatsoever, can be inferred either from this information, or from any written recommendations, or from any other advice offered. The user of the product must test the product's suitability for the intended application and purpose. Sika reserves the right to change the properties of its products. The proprietary rights of third parties must be observed. All orders are accepted subject to our current terms of sale and delivery. Users must always refer to the most recent issue of the local Product Data Sheet for the product concerned, copies of which will be supplied on request.

Sika India Pvt. Ltd.
620, Diamond Harbour Road
Commercial Complex II
Kolkata - 700 034
West Bengal, India

Contact:
Phone: +91 33 2447 2448
Fax: +91 33 2397 8688
info.india@in.sika.com
www.sika.in



Product Data Sheet
SarnaTube M
December 2023, Version 01.01
020945051100002027

SarnaTubeM-en-IN-(12-2023)-1-1.pdf